

CONTENTS CHECKLIST:

- 2 x Post ground anchors
- 2 x Goal posts
- 1 x Crossbar
- 8 x Post to anchor fasteners
- 4 x Crossbar Bolts

INSTALLATION INSTRUCTIONS:

- Two persons recommended.

RECOMMENDATIONS FOR INSTALLATION OF GROUND ANCHORS:

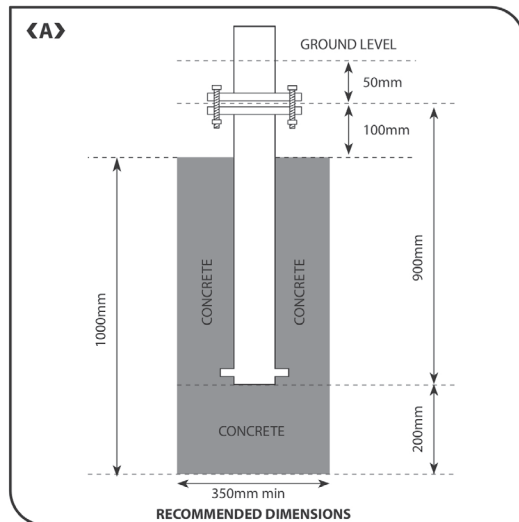
- Ref.Diag <A> for ground anchor foundation details.
- To ensure accurate installation, cement in place with ground anchors attached to the posts with the crossbar fastened in place (follow assembly instructions below). Check posts for plumb and crossbar for level. **Note:** Ensure concrete level allows adequate space for the removal and fastening of post - ground anchor bolts and nuts. Ref.Diag <A>.

ASSEMBLY INSTRUCTIONS:

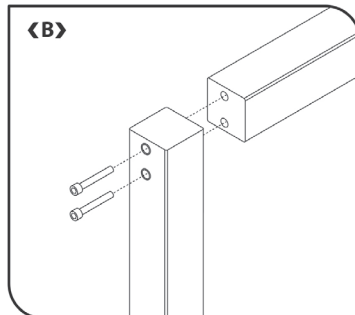
- Attach the post to the crossbar ensuring the net clips are aligned. Ref.Diag. Repeat for each post.
- Erect the goal ensuring that the net clips are facing away from the field.
- Fasten the base of the post to the ground anchor and tighten. Ref.Diag<C>.
- Attach the net to the goal, starting from the top corners of the goal, keeping tension on the net as it is clipped for best results. Ref.Diag<D>.

PLAY BALL!

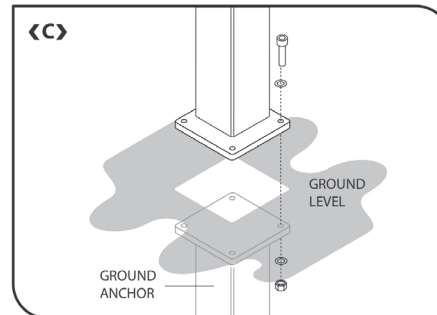
GROUND ANCHOR INSTALLATION:



FIXING THE CROSSBAR TO THE POSTS:



FASTENING THE POSTS TO THE GROUND ANCHORS:



ATTACHING THE NET TO THE NET CLIPS:

