

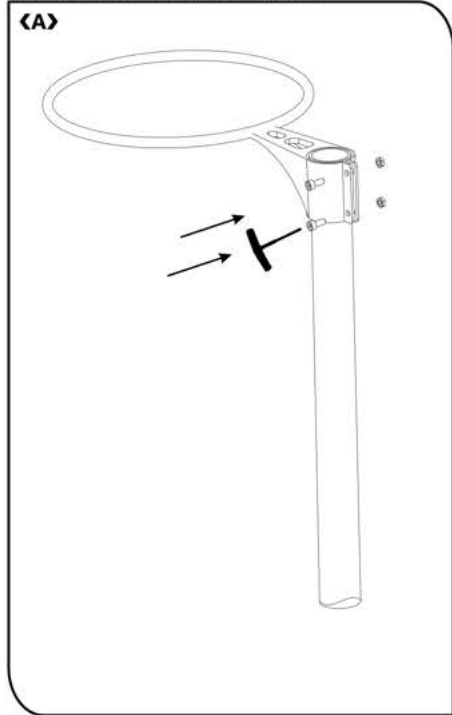
# Netball Post | Assembly instructions

**REQUIRED TOOLS:**

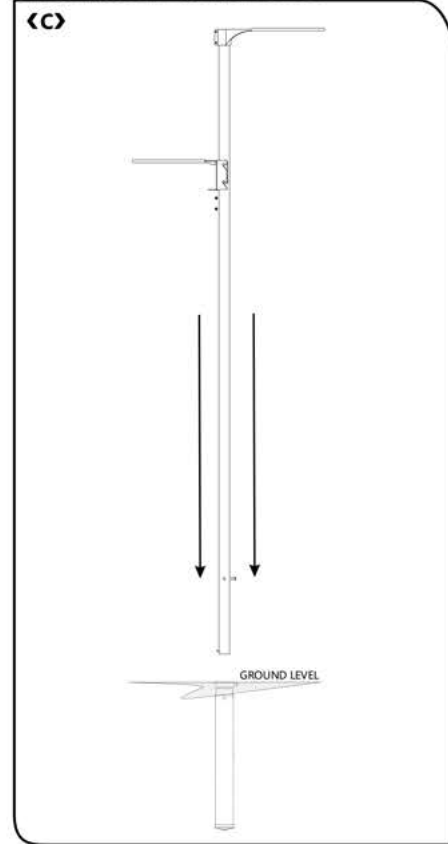
ALLEN KEY 6mm 5mm 13mm



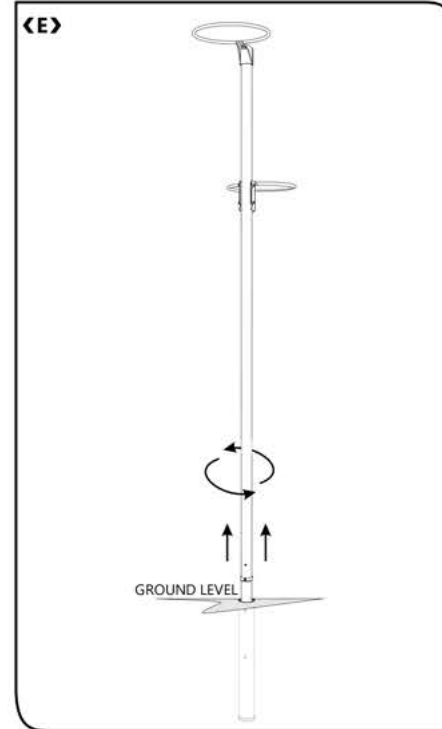
CONNECT PERMANENT HOOP TO TOP OF POST



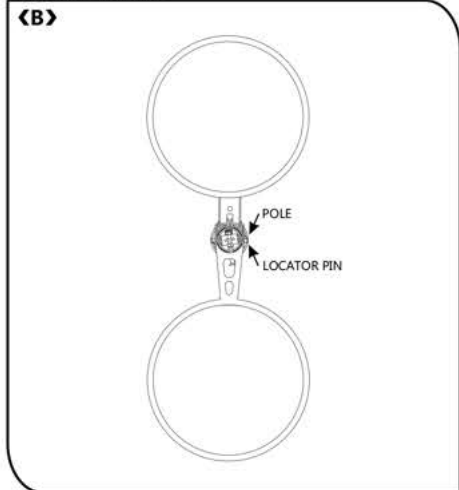
ONCE CONNECTED LIFT POST INTO POST HOLE



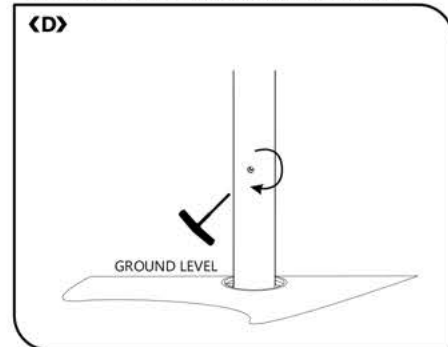
LIFT POST OUT OF POST HOLE AND ROTATE TO USE JUNIOR HOOP



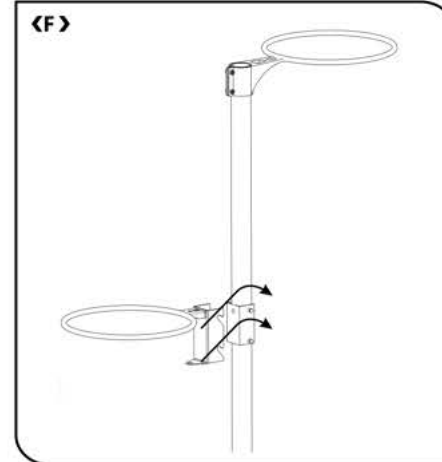
HOOP CONFIGURATION



TURN ALLEN KEY UNTIL POST IS UNABLE TO BE LIFTED OUT



CONNECT JUNIOR HOOP TO POST COLLAR



**CONTENTS CHECKLIST:**

- 1 x Goal post
- 1 x Fixed Hoop
- 1 x Removable Junior Hoop

**INSTALLATION INSTRUCTIONS:**

**Procedure - Setting Up Goal Post**

- Connect permanent hoop to top of goal post with supplied bolts. Use allen key and spanner to tighten nut and bolt. Ref.Diag<A>.
- North pole and South pole located parallel to each other. Ref.Diag<B>.
- Lift post and place into post hole, swivel until position pin is engaged. Ref.Diag<C>.
- Post locking T- Allen key supplied to lock and unlock post for removal. Enter allen key into hole 200mm from ground level to engage locking screw.
- No force required 5 x turns only to release** Ref.Diag<D>.
- If you have purchased the junior hoop option required for game, lift hoop and rotate 180° and reset into located position. Ref.Diag<E>.
- Connect Junior hoop to fixed plate by lifting into place. Ref.Diag<F>.
- When post is removed, replace metal cap by placing into post hole and turning allen key until o-ring expands and locks in place. Ref.Diag<G>.

REPLACING METAL CAP

