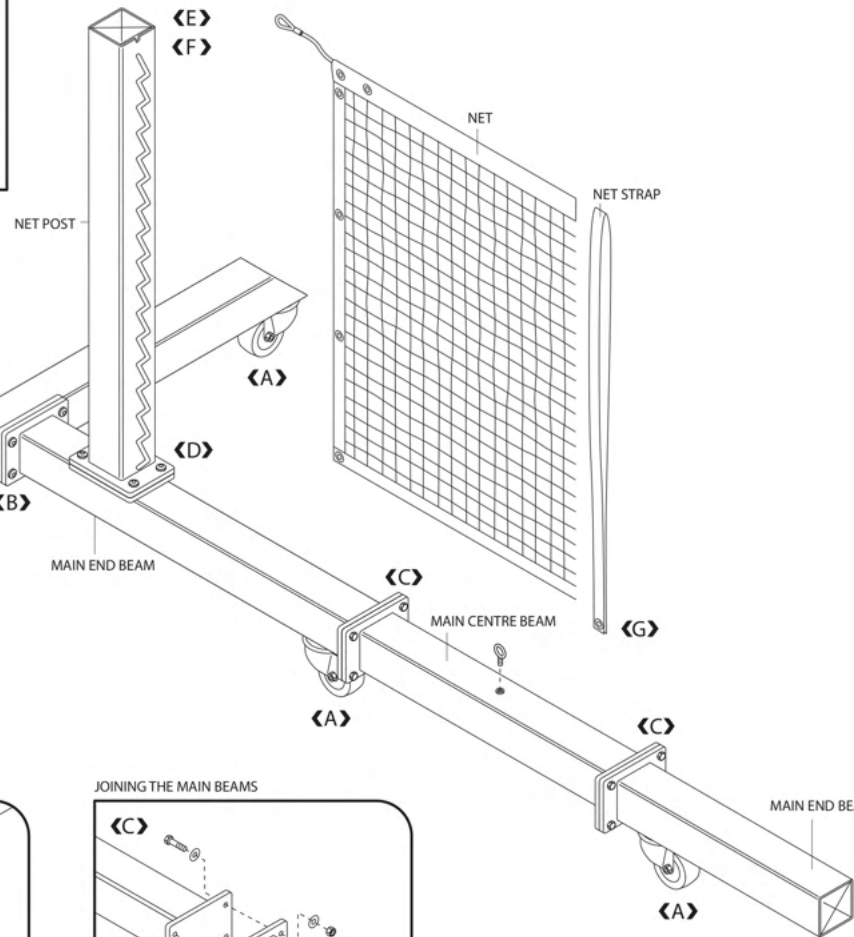
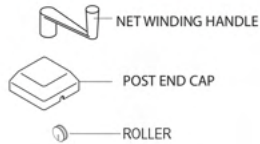
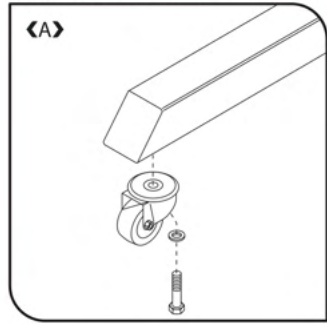
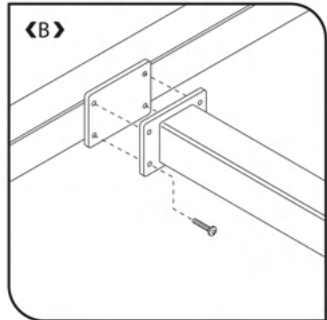




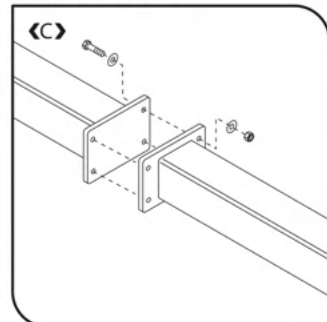
SUPPORT LEG CASTOR ASSEMBLY



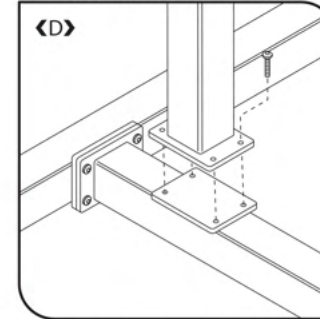
MAIN BEAM TO SUPPORT LEG ASSEMBLY



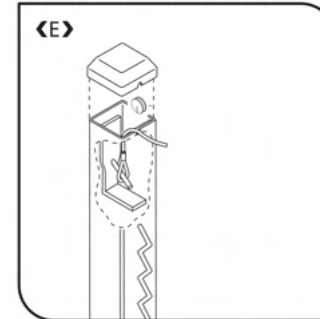
JOINING THE MAIN BEAMS



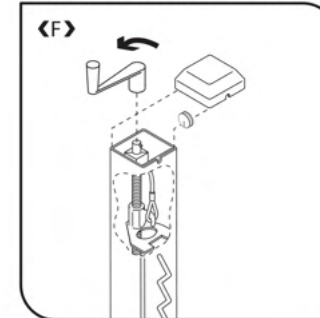
MAIN BEAM TO SUPPORT LEG ASSEMBLY



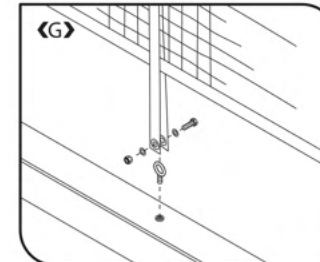
ATTACHING THE NET TO FIXED END POST



ATTACHING THE NET TO WINDING END POST



ATTACHING THE NET STRAP



CONTENTS CHECKLIST:

- 6 x Castors (2 brake, 4 std swivel)
- 6 x Castor bolts and washers
- 1 x Net Winding Handle
- 1 x Centre strap, fasteners and anchor
- 2 x Outer support legs, 1.2m long
- 2 x Net posts with post end caps
- 3 x Main beams 4.0m long
- 8 x M8 x 45 bolts, nuts & washers for main beam
- 16 x M8 x 20 allen head cap screw

FRAME ASSEMBLY INSTRUCTIONS:

WARNING: DO NOT USE POWER TOOLS OR IMPACT DRIVERS TO ASSEMBLE FASTENERS AS BINDING COULD OCCUR. USE APPROPRIATE LUBRICATION ON STAINLESS BOLTS

- Remove main beam packaging bolts.
- Fit all wheel castors to the main beams and support legs. (6 in total). Ref. Diag <A>
- Assemble main end beams to support legs. Ref. Diag
Note: Do not fully tighten until all 6 castor wheels are evenly supporting the frame. Ensure the structure is on level ground.
- Wheel ends into place and fasten to main centre beam. Ref. Diag <C> Ensure that the net strap hole on the centre beam is facing upwards.

- Attach net posts to main beam using M8 cap screws. Ref. Diag <D>

NET FITTING INSTRUCTIONS:

- Remove the post cap. Fit the net cable to the anchor hook inside the fixed end net post. Replace the post cap. Ref. Diag <E>
- Remove the post cap. Fit the net cable to anchor hook inside winding end net post. Ref. Diag <F>
- Position net strap around top of net and secure with fasteners to the top of the main centre beam. Ref. Diag <G>
- Ensure all bolts and screws are tight prior to tensioning the net.
- Insert the winding handle and tension the net until the net strap is fully extended. Increase the tension **two** more turns. Replace the post cap.

WARNING: DO NOT OVER TENSION