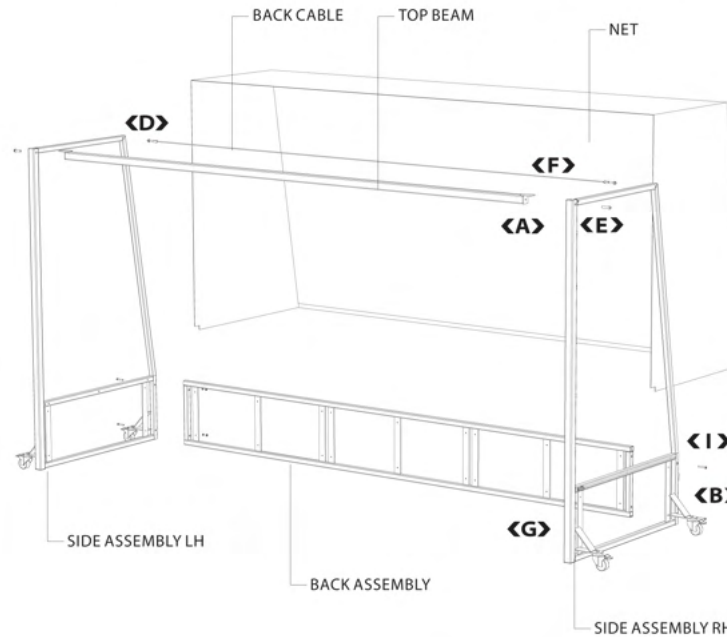
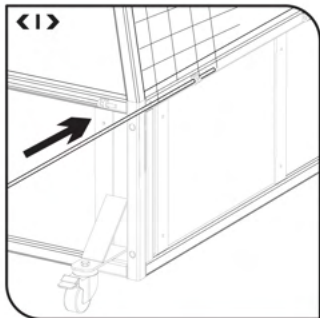
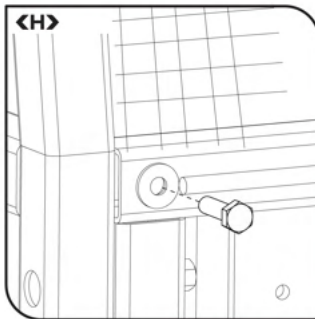
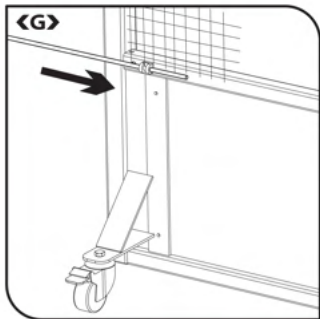
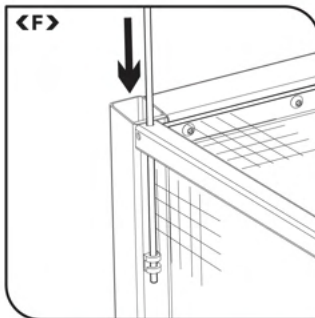
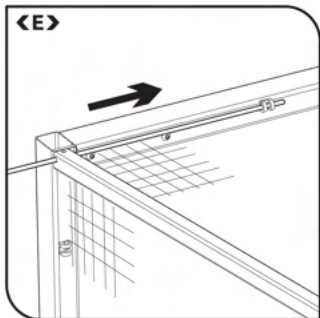
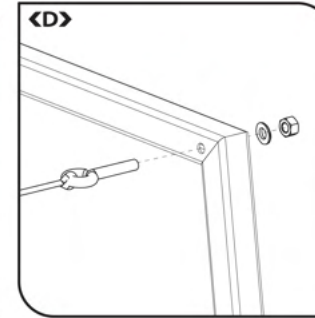
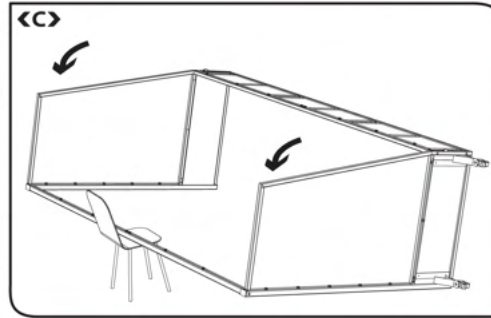
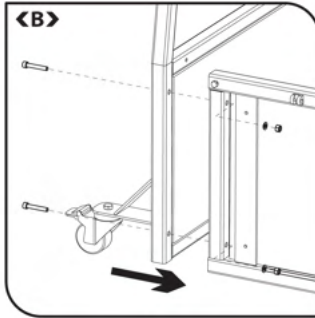
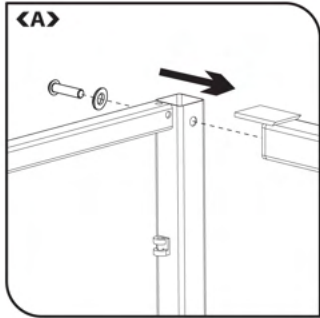


REQUIRED TOOLS:



CONTENTS CHECKLIST:

ASSEMBLIES

Per Goal	Description	Diagram
1x	Side Assembly LH	Overview
1x	Side Assembly RH	Overview
1x	Top Beam	Overview
1x	Back Assembly	Overview
1x	Nets and Cables + Eyelets	Overview
4x	Caster Wheels	G
4x	Caster Bolts M12 x 50mm	G
4x	Caster Washer M12 Galv	G

LACING RODS

Per Goal	Description	Length	Diagram
2x	Top Beam Plain	1855mm	E
2x	Back Chassis	1810mm w Washer	H
2x	Upright Post Plain	1745mm	F
2x	Side Chassis	1075mm w Washer	G

FASTENERS

Per Goal	Description	Type	Diagram
2x	Top Beam	M12 x 70mm Galv Bolts	A
2x	Top Beam	M12 Galv Washers	A
4x	Back Chassis	M10 x 90mm Galv Bolts	B
8x	Back Chassis	Washers Galv	B

FRAME ASSEMBLY INSTRUCTIONS:

- Note: It is recommended the frame gets assembled with 2 people.**
- Fit RH and LH end assemblies onto top beam by securing them with the M10 bolts. Ref. Diag <A>
- Fit Back assembly in between RH and LH end assemblies. Ref. Diag

NET FITTING INSTRUCTIONS:

- Tilt the goal forward and support on a chair or similar. Ref. Diag <C>
- Attach the rear cable as per Ref. Diag <D> at both sides.
- Evenly distribute the net across the full length of the top beam and insert the long round lacing rods, one from either end of the goal, threading it through the net and plastic clips. Ref. Diag <E>
- Repeat this process on both side assemblies. Ref. Diag <F>
- Unscrew bottom round lacing rods on sides and insert through net as per Diag <G> and reattach as per Diag <H>. Repeat this process on the back as per Diag <I>

Happy hockey playing!