

• Attach net eyelets to shackle. Pull toggle end of cord to tighten. Ref. Diag <D>

CONTENTS CHECKLIST:

ASSEMBLIES

Per Goal	Description	Diagram
1x	Side Assembly LH	Overview
1x	Side Assembly RH	Overview
1x	Top Beam	Overview
1x	Back Assembly	Overview
1x	Nets and Cables + Eyelets	Overview

LACING RODS

Per Goal	Description	Length	Diagram
2 x	Top Beam Plain	1855mm	E
3x	Back Chassis	1190mm Flat	K
2x	Upright Post Plain	1750mm	F
2x	Side Chassis	1100mm Flat	L

FASTENERS

Per Goal	Description	Type	Diagram
4x	Top Beam	M10 x 20mm Set Screws SS	B
4x	Top Beam	M10 Galv Washers SS	B
4x	Back Chassis	M10 stainless cap screws	
4x	Socket Cap Screw (b/board side bolt)	M10 x 50 SS	A
4x	Washer (b/board side bolt)	M10 x 21 x 1.5 Flat SS	A
4x	Nut Nyloc (b/board side bolt)	M10 Hex SS	A

FRAME ASSEMBLY INSTRUCTIONS:

Note: From a safety aspect it is recommended the frame gets assembled with 2 people.

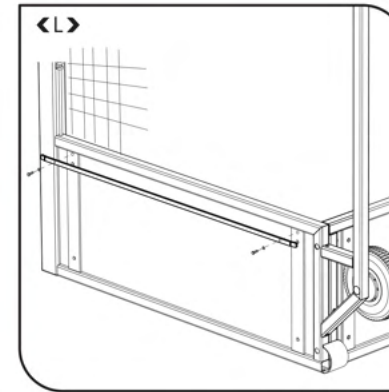
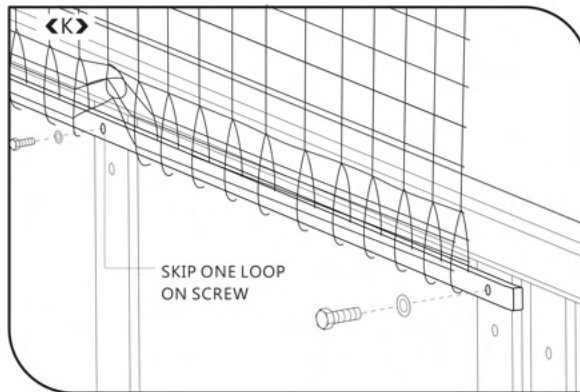
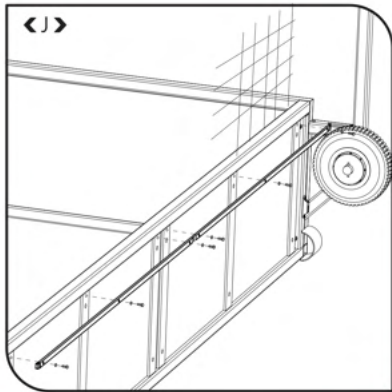
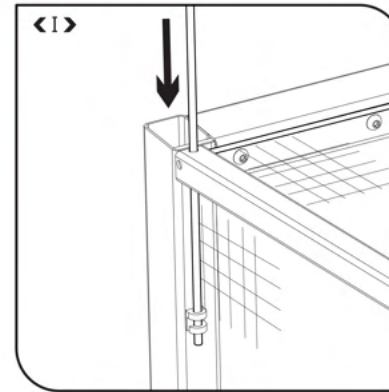
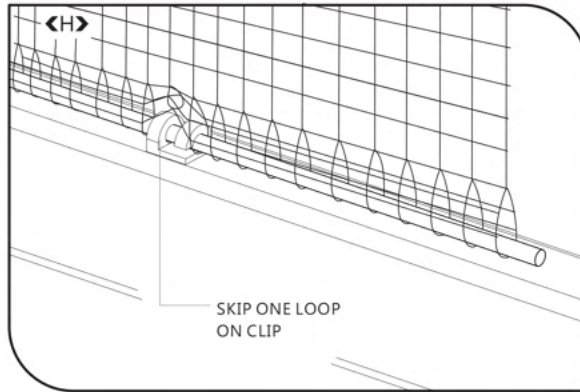
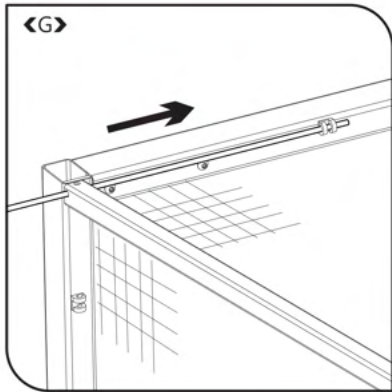
- Remove all round lacing rods noting their position for assembly.
- With one person holding the backboard vertical, the other person moves the side assemblies (one at a time) into position and inserts bolts (ensuring they are not fully tightened). Ref. Diag <A>
- Spread the goal mouth and slide the top beam into position bringing the sides together and insert the bolts. Ref. Diag

NET FITTING INSTRUCTIONS:

- A small step ladder is required to attach the net to the top beam lacing rods.
- Unfold the net and remove white packaging cords.

Note: THE NET IS CLEARLY LABELED in relation to where the eyelets are positioned on the goal. (Based on the person standing in front of the goal, facing the goal mouth)

- Attach net eyelets to front post tops. Ref. Diag <E>
- Firstly attach the shackle to rear eyelet of the net. Ref. Diag <D1> Place cord up through alloy cleat Ref. Diag <D2> and then thread it through eyebolt (in corner). Ref. <D3>. Attach the cord to 'D' shaped shackle <D1>.
- Loosely tie off tension cord at the rear of the goal at both sides by looping the cord around the beam and then threading it through the plastic cleat. Ref. Diag <F>



NET FITTING INSTRUCTIONS (CONTINUED):

- Evenly distribute the net across the full length of the top beam and insert the long round lacing rods, one from either end of the goal, threading it through the net pocket and plastic clips. Ref. Diag <G>

Note: For ease of fitting, skip one net loop at each clip. Ref. Diag <H>

- Repeat this process on both side assemblies. Ref. Diag <I>

- Tighten tension cord so that the bottom of the net pocket sits on top of the wheel support. Ref. Diag <F> (See over)

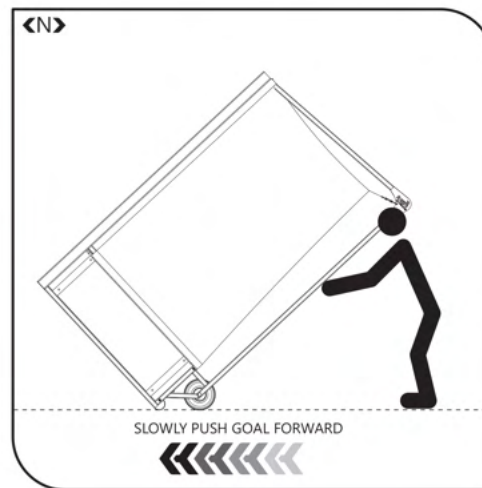
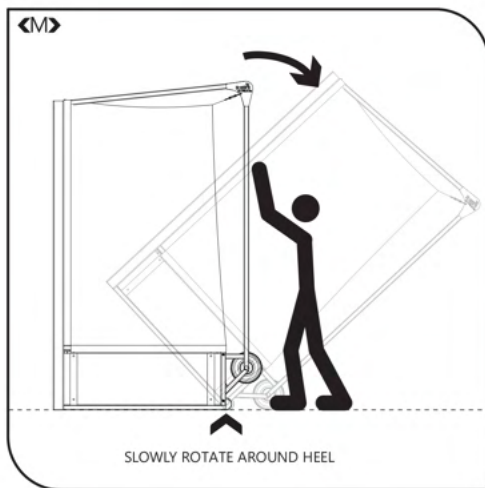
- Unscrew backboard flat lacing rods and insert through net pocket and reattach. Ref. Diag <J>

Note: For ease of fitting, skip one net loop at each screw. Ref. Diag <K>

- Repeat step 7 for side assemblies. Ref. Diag <L>

- Fully tension net with turn buckles. Ref. Diag <D> (See over)

Happy hockey playing!



MOVING AROUND THE GOAL:

- Note: It is recommended the goal gets moved by 2 people.
- Standing at the back of the goal, grab the back post and pull the goal towards you, letting it rotate around the heel until the full weight of the goal rests on both the heel and the wheel. Ref. Diag <L>
 - The goal should now be balanced on the heel and the wheel. Push the goal around slowly by pulling the heel slightly off the ground so that the goal weight rests on the wheel.