



HYDRO-BLADE

The super-wide blade and strong, lightweight tubular-steel construction enables the Hydro-blade to clear large areas of surface water quickly and with minimal effort.

Simply squeegee over surfaces when wet and the unique squeegee blade will remove surface grit along with the water - no more time-consuming dry-sweeping. The Hydro-Blade can clear any surface where water or grit can accumulate.

HYDRO-BLADE FEATURES

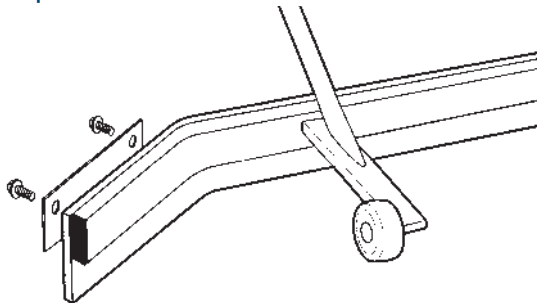
- No joints to rust, will last for years
- Lightweight tubular galvanised steel construction
- Ideal for cleaning hard and synthetic surfaces, removes wear and surface grit
- Soft, flexible rubber will not mark court surfaces
- Rubber wheels for manoeuvrability and control

Product Code: HY-BL

Product Code HY BL



Replacement Rubbers Code: HY-R



Bolt-on assembly to hold the foam in place.

Top quality solvent resistant EVA foam.

